

Yet Another JFK Shooting Hypothesis and Its Implications

Barry L. Werley

Original Copyright ©2017 by Barry L. Werley

Released to the public domain, as a public service, 15 August 2017

This publication is meant to finalize, archive, and place in the public domain materials that were voluntary efforts during the author's retirement and as such were non-profit, public-service opinion for use at your own risk, and any costs are those of on-demand and/or public-domain reproduction. An electronic PDF is also being prepared to be included with numerous other related materials for free and open unaltered distribution in print or electronic form. It may be reproduced and quoted to any degree.

As public domain opinion, expected to outlive the author, there is no publisher location to cite or contact.

Table of Contents

Introduction	p. 5
The Shooting Schedules	p. 11
Blur Analysis	p. 17
An Un-Aimed Shot	p. 21
Reconciliation	p. 29
Summary, Conclusions, Lessons	p. 39
References	p. 45

Blank Transition Page

Introduction

REFERENCE: Werley, B. L., “Yet Another JFK Shooting Hypothesis and Its Implications”, ©2017, public domain August 2017, 46 pages.

ABSTRACT: An un-aimed shot hypothesis allows for the reconciliation of several alleged JFK assassination contradictions, and it makes it more difficult to argue a conspiracy was necessary. Hard data provide significant support for the new hypothesis which strengthens the argument one man alone *could* and probably *did* change history in a way large numbers of people still refuse to believe. Some of those in power who refuse to believe have inspired and may be inspiring still more changes to history.

KEY WORDS: John F. Kennedy, JFK, Luis Alvarez, Carcano, blur analysis, jiggle analysis, Zapruder film, shock waves, Mach waves.

The writer agrees that President John Fitzgerald Kennedy (JFK) was assassinated 54 years ago. But there is still much to disagree about. Today a robust debate continues to persist over what actually happened. What various people think happened. What various people think *could not* have happened. Even what the various people *want* to have happened. The debate is spirited with lots of sarcasm and proclamations. In some ways it is great fun and in other ways it can be pathetic and even dangerous.

For several of those decades, the writer has followed the debate and had his own opinions about what happened and what the significance is. Both are cited here to contribute to the debate. Perhaps none are new and have simply been ignored or under-reported and that is okay. Perhaps all have been considered and rejected. Hey, it happens.

This analysis is focused on the timing of the shots fired and what is humanly possible to achieve. If proven valid it expands on the range of what Lee Harvey Oswald (LHO) *could* have physically accomplished.

This explores a scenario in which LHO could have fired three separate shots much more quickly than anyone has apparently assumed to date. And this fast-timing hypothesis can be at least partially defended with objective data. Therefore LHO would have had more than enough time to shoot JFK twice and John Connally once even with individual bullets (however this writer does accept and does believe the single bullet theory [SBT]) and that the first bullet hit both men. Furthermore, even if the SBT is valid (and the writer finds that very plausible), past suggested timing sequences to defend it, and in some cases, their flimsy defenses, can be substantially improved. And therefore the chances that a second shooter was necessary may now be negligible.

Hence those who suspect a conspiracy and those who want and need there to have been a conspiracy that can be fought may need to finally face a different reality than they want. More importantly, those in power whose knee-jerk laws to exploit the event in the guise of preventing a repeat and to otherwise change our history themselves, have contributed to further rebellion and may be risking still more incidents of even larger scale and consequence.

Lying Government Bias

The government wanted to wrap up the investigation and consequently that is one reason for them to want it to have been one lone preferably deranged lunatic shooter. And so the investigation clearly put much effort into showing if LHO *could* have done it alone, so that it could adopt that conclusion, and it put much less effort to find evidence of other alternatives that would have involved others.

Yes, LHO could have been a potent foreign assassin in disguise. But their druthers were for a lunatic, fringe whacko. And yet while they want it to have been a solitary shooter, at the same time they do *not* want the nation to even consider the prospect that LHO might have been a principled rational patriot who believed in what he was doing as much as Colonel Claus Stauffenberg did when he (and his numerous real conspirators) went after Hitler. As principled as a solitary Sergeant Timothy McVeigh was when he protested Waco, the Brady Bill (*Brady Handgun Violence Prevention Act 1993*), and the assault weapons ban (1994). The Government does not want the nation to believe that one man can make so big a difference (whether for good or bad).

Lying Writer's Bias

I do not mourn the loss of JFK. I consider him a screw-up (in the military, in the Bay of Pigs, in the missiles of October, and much more). I consider him to have been a spoiled rich brat whose Koresh-like charisma combined with Daddy's money allowed

him to exploit people who were more than willing to be exploited. And he was a stereotypical lying Democrat politician too. His arrogance at taking that bogus triumphant ride through Dallas like some American Caesar in a slow-moving open car was both an insult and challenge to those who did not worship his grace, and I am surprised he made it as far as he did before getting shot.

I was amazed when finally I stood in the Sixth Floor Museum (which I believe in 1992 was on the seventh floor and may still be today) and looked out at cars passing below. What an easy shot it was! It did not require a Chris-Kyle-grade sniper. Every year thousands of hunters take down skittish wild animals with much greater survival instincts than JFK at far greater distances in very rough and much more difficult terrains.

Indeed, I am even willing to consider the possibility of Oswald being a patriot. I do consider Sergeant Timothy James McVeigh (TJM) a patriot and war hero who was fully justified in his retaliation for Waco (in which he assessed damages), and especially the tyrannical Brady Handgun Bill. Either one alone was sufficient justification.

Indeed I am largely a conservative Republican these days (one of those angry bastards). The Democrat party considers me a politically incorrect, gun-crazy, idealess heartless, systemic racist, sexist, xenophobe, homophobe, misogynist, planet raping, no-damn-good, jack-booted storm trooper in the war on women and women's health, and they are certain I hate poor people too. They censor, marginalize and exclude me from my rights but they also exploit me. Yes, I can well identify with Sergeant McVeigh as much I identify with as the shooters at Lexington and Concord.

To wit, I *believe* it is possible and I *want* it to be possible for one man to make a difference. And the veto of JFK in Dallas sure made a big difference. Therefore, I would prefer it if LHO did it alone. So that is where I am coming from, but I will try to be objective with the math and analyses I present.

Proving Negative and Positive Cases

The negative case is always difficult, if not impossible, to prove. I can not prove the negative case that there were no conspirators and thereby prove the positive that LHO must have done it alone. But what I can argue is whether he *could* have done it alone. I do make that assertion. And I do it, in part, because I want to know if the assassination could have been another case of one man making a big difference.

Far too many people under-estimate the power of one man. *Any* one man. They want to think we are all under their constraints. We are sheep subject to the will of our shepherd. A major fraction of the desire in The Democrat Party to oh-so-cleverly thwart the Second Amendment (while claiming they don't want to get rid of it) is the fear of their fellow citizen's power. But while a gun can help one shoot a goodly number of his fellow citizens, one can be resourceful in many other ways. The writer, for example, can easily prepare an explosive that could mimic TJM's impressive protest and perhaps exceed it. However, he can even more easily launch fires and perhaps awesome firestorms

on a scale and a number so large at one time that they could not be significantly fought. General Sherman would be real impressed. And there are many other ways that, believe me, you do not want to justify in this mind, or in *any* American mind. Ways that you may prefer to disbelieve and may try to prove the negative, that they are not possible.

Therefore I can only seek to determine if LHO *could* have done it alone, just as Sergeant McVeigh *could* and surely did do it alone. It is one thing for one man to be able to make a difference and another if even just one man ever does actually make the choice to make that difference. And this writer for one is glad that it appears at least two could and did do their respective protests alone, even if others could have done it also.

For sometime our nation has needed to learn this lesson and therefore that is just one more reason Sergeant McVeigh was justified. And yet the writer, himself, agreeing largely with the Sergeant, has continued to exercise forbearance and restraint for decades over the despicable Brady Handgun Violence Prevention Act (1993, A Year of Tyranny) and the Waco genocide (also 1993) that preceded it. He did forbear in spite of the complete absence of respect The Democrat Party has had for him and his rights for his entire life. He has forbore because he would really prefer for his nation to fix itself without being forced to do the right thing. However many episodes and especially the Civil War have taught us sometimes we only respond to force around here.

When the Warren Commission Report [*I*]¹ came out it concluded that LHO was capable of doing it and in fact probably did do it, because it said there was no evidence of a second actor. They did not technically claim the negative, that there could not have been a second actor, either actor of which could have been a planner, second shooter, or otherwise.

They however did apply the argument of capability to prove one negative, to exclude Oswald shooting Connally *with a separate bullet*. There are several good arguments why he did not, but the one that was emphasized most was that he could not have fired the gun fast enough.

As a result, some conspiracy theorists, sought to prove that LHO could *not* have done it all. This led to such distractions as the repudiation of the single bullet theory. Surely, one bullet could not do all that. Today there is little doubt that a single bullet *could* have injured both men (even 97% of climate science-men believe that), but whether one actually did or did not can still be argued.

Oswald's Carcano gun has been labeled junk in an effort to prove three negatives that it therefore could *not* have been fired fast enough, often enough, or even accurate enough, but numerous tests of it and other Carcanos since have shown it is a wonderful gun and can be fired more than fast enough and more than accurately enough. Whether LHO could fire it fast or accurately enough can still be argued.

The details of the assassination are therefore of academic interest but they are

¹ Italic numbers in brackets refer to the reference list at the end of the paper.

also of practical importance. Too many people work too hard to convince themselves that the thought that one man, especially one lowlife like LHO, a “nothing person” like the writer and so many of us these days, could take out their mighty and wonderful President is unthinkable. The writer pleads with them to realize one nothing man could have taken down JFK, the Murrah Building, and could do a hell of a lot more. They need to worry if even just one nothing man feels justified. They need to revise their thinking of lowlifes a lot. Perhaps even lowlifes can present a threat they should take as seriously as they take North Korea. Perhaps even lowlifes deserve some respect.

And so this analysis is aimed at once again examining the intervals between shots. Was it possible, or not, for LHO to have achieved any of the necessary timing benchmarks? And was there an even more rapid yet still more realistic scenario possible that is even better at accounting for the existing perspectives?

¹ Italic numbers in brackets refer to the reference list at the end of the paper.

Blank Transition Page

The Shooting Schedules

The arguments given are often not strong, but one can argue, and many have, there were two, four or even five or six shots fired that day. Overwhelmingly three shots are believed to have been fired.

Perhaps the majority opinion for precisely three shots is because the majority (more than 80%) of witnesses including some highly trained individuals heard only three shots and only three spent shell casings were found. However, eyewitnesses can be notoriously wrong, even on a mass scale, and casings can be easily transported to or from the scene.

Nonetheless, this analysis will be devoted to examining the three-shot contingency. There are numerous potential three-shot timings that have been cited. Their overall durations range from a high of 11 seconds (National Geographic DVD [2]) to a low of either 4.6 seconds (The Warren Commission [1] based on FBI tests) or 3.3 seconds (The House Select Committee on Assassinations, HSCA, [3]). . The top portion of Figure 1 provides several of the firing times often cited as points A, B, C, D, E, and F. .

This has now created a challenge to prove the FBI and others wrong and determine just how fast a Carcano rifle can be fired. Can it be fired fast enough to shoot Connally with a separate bullet notwithstanding other compelling data why that could not have happened? Early Warren Commission [1] opinion felt that the minimum times required to fire two shots was 2.25 seconds (rounded to 2.3) in a scenario where 4.6 seconds applied to all three shots. However, another scenario that may just fit the data very well is to be considered here, and will examine whether two of the shots (but not the first two) may have actually been fired in less than 1.3 seconds (implying a potential 2.6

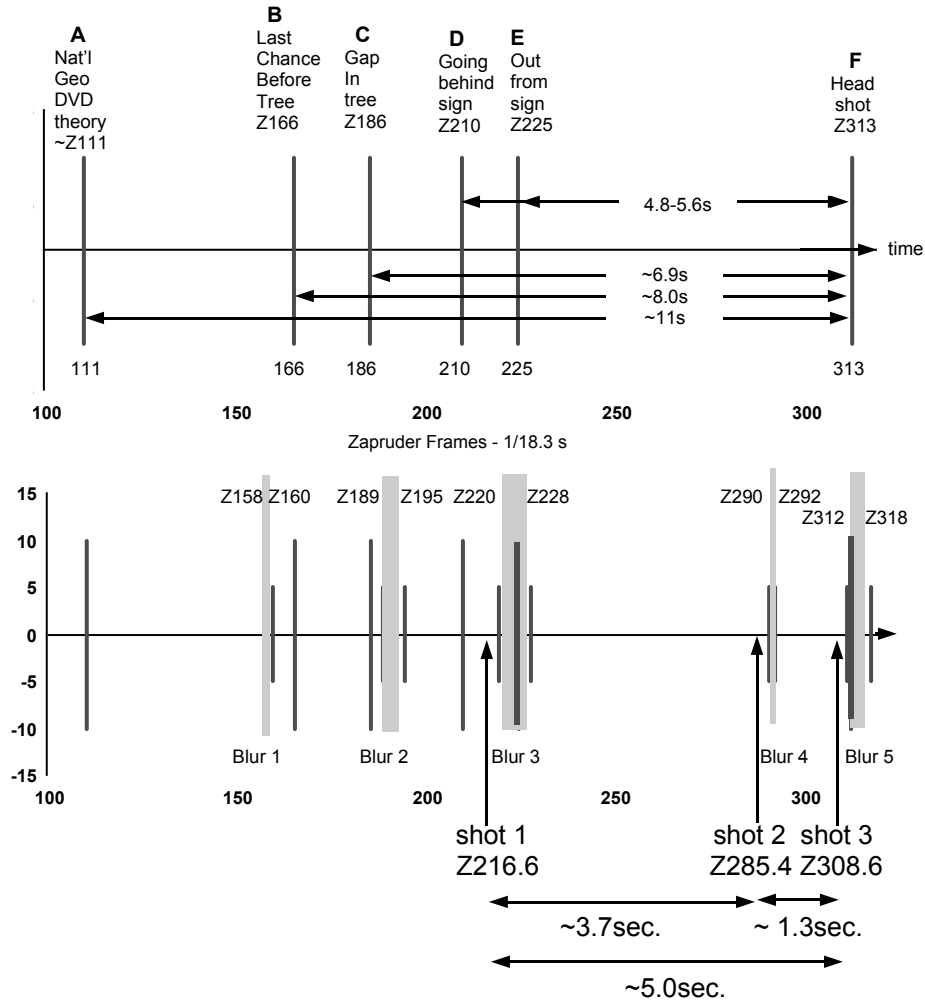


FIG. 1—Timing between shots.

second total minimum firing time might be possible in theory).

First a mathematical caution. It is often reported that the Warren Commission tests found that it required a minimum of 2.3 seconds per shot to fire the gun. Many people make the error of assuming this requires 6.9 seconds for three shots. However what they meant was 2.3 seconds for marginal shots *subsequent to the first*. That is 2.3 seconds *between* shots (and the Warren Commission report is pretty careful in saying it this way). The first shot requires zero seconds, but whence the trigger was pulled, they thought it would take 2.3 seconds for each follow-on shot, or 4.6 seconds minimum for the three shots that were claimed .

Others commentators found much satisfaction in besting the Warren Commission times. The House Select Committee tests found 1.66 seconds was possible to achieve with aimed shots, while two of their members testing whether an un-aimed shot may have hit Connally accidentally were able to fire two shots in 1.5 and 1.3 seconds using Oswald's actual gun. However, the most rapid firing rate the writer has seen reported for aimed shots is 1.02 seconds between shots on a YouTube video (claiming six shots in 5.1 seconds) [4].

There are still more time benchmarks which have been cited based on times when someone thought a shot may have been fired. However, Figure 1 exhibits only six of the most common citations. The time intervals between the first and last shots are in the cited range of from 11 seconds to as little as 4.8-5.0 seconds, and the time between any two shots ranges from as much as 7 seconds to as little as this analysis which will argue 1.3 seconds is quite realistic to achieve (notwithstanding the actual accomplishment of 1.02 seconds from a shooter in pursuit of the record).

For those who have seen the Zapruder movie (and who hasn't?), the six timing marks shown on Figure 1 are cited in terms of the frames of this movie as a time base. Fig 1 also cites numerous geographical data to identify them.

- Just before the Zapruder movie starts, point A, at what would be about Zapruder frame Z112 (about 11 seconds before the head shot (BHS). (Zapruder apparently only shot his last 152 frames of JFK, about 8.3 seconds worth),
- After the limousine completed its turn onto Elm Street and is virtually below the suspect window about frame Z166, point B, about 8.1 seconds BHS. The limousine is about to pass under a small Oak tree
- As the limousine is seen briefly in a gap in the tree branches, frame Z186, point C.
- As JFK is about to pass behind a street sign at frame Z210, point D.
- Shortly after JFK emerges from behind the traffic sign at about Z225, point E, when a shot is suspected and Connally's lapel bulges.
- A split second after Kennedy's head explodes in frame Z313, point F.

There is widespread perhaps complete agreement that the last shot occurred at approximately what is defined as frame Z313 of the famous Zapruder home movie (or slightly before). The graphic image of Kennedy's head exploding tends to be highly persuasive. However the timing of the first shot and second shot is open to

much dispute. As of this writing, the large majority of opinion (but not the Warren Commission) seems to support the first shot as being a miss. This writer disagrees.

The analysis in the next chapter estimates the head-shot trigger-pull at Zapruder frame Z308.7. The first trigger pull being at about Z216.7, five seconds before the head shot. And the third or missed shot (what the National Geographical DVD[2] calls “*The Lost Bullet*”) being the second shot having its trigger pulled at about frame Z287 (about 1.3 seconds before the head shot).

Discrediting Some Options

Several of the early first-shot timing scenarios are distasteful. Not necessarily wrong but hard for this writer to buy into. For example consider options A and to lesser but similar extent options B and C, on Figure 1, all of them early-miss assumptions. In the recent (2013) National Geographic DVD [2], Amos Euins (who was 15 at the time and one of the better witnesses) asserts what many others did that there was a grouping of shots. He says it was “Pow.....Pow..Pow” with the second and third shots in closer *rapid* succession. Eleven seconds is not like that. Eleven seconds is more like

Pow.....Pow.....Pow.

One would only actually time this out if one were trying to influence a jury (which is what this is to some extent). However it is worth shouting “pow” three times while watching a clock’s second hand to fully appreciate the slowness of many scenarios.

A second is actually a fairly long time. Keep in mind that a good athlete can run up to ten yards in a second (yes, 10 seconds for 100 yards). Secret Service guys are not likely in those days to have been handicapped. Indeed, the disabilities laws would not yet have enabled any agent to be handicapped. And if upon hearing a shot fired an agent (any one of the four or five or eight or however many there were) had jumped as per myth to shield the President with his own body, the guy could have run from more than 100 yards maximum (Option A) to a minimum of at least 50 yards (Option C). And yet the head shot occurred when the limousine was no more than 88 yards from position A and much less than that from position C.

We can retroactively ask the Secret Service guys whose car was just feet behind Kennedy if they think there was a shot at scenarios A, B or C, or anytime in-between or thereabouts. One can watch home movies especially Zapruder’s and there is also a famous AP reporter’s photo (Altgens), page 118 in the Warren Commission Report [I] taken after the limousine was significantly past point C (they determined the photo was taken at about Z255), and no agent has voted yet with his feet for a

gunshot at any of these first three points. Indeed in the AP photo there may be the first inklings of a first shot and that argues something between options D and E, on Figure 1, was when the first shot happened and that appears to have been the neck shot.

Indeed, video of the Secret Service agent who ran to Kennedy's car, suggests he started running at the first shot, at about this time, because he saw it hit JFK. Notably he stated he does not remember the second shot. Keep that testimony in mind. It is an important datum.

Blank Transition Page

Blur Analysis

Luis Alvarez and Blur Analysis

Luis Alvarez, the distinguished Nobel-Prize Physicist injected more than his opinion into the debate in the 1970s [5]. He had worked with Bell and Howell the makers of the camera Zapruder used for his movie. Following up on several suspicions of his own and a few others, Alvarez did a mathematical study of Zapruder's movie and concluded that shots fired (among other things like coughs and backfires and firecrackers *and sirens*) would have made Zapruder lurch. That lurch would show up as a blur on his movie and upon studying the movie, Alvarez found such blurs at five places in the portion of film he had access to (frames Z170 to Z334). One of the blurs was after the head shot. Two other workers duplicated his effort and agreed with him finding one additional blur in earlier frames (Z158-Z160) of the film that Alvarez did not have access to.

Figure 1 in the lower section indicates where blurs occurred that were at or before the head shot (BHS). All three of the examiners found the strongest response at the head shot and variably lesser responses earlier on. Hence Zapruder *was* exhibiting the effect, but doubtless he was subject to any number of other blur-inducing effects also. However, numerous commentators reviewed (including Posner [6] and Bugliosi [7]) tend to agree with two material implications: (1), if there was a shot heard, then there was a blur, and the contrapositive (2) if there was no blur then there was no shot heard. This approach may need fine-tuning but at least does not rely on the fragile im-

pressions of eye witnesses.

Alvarez tends to complicate matters in his paper, maybe too much, when he speaks of shock waves directly moving the camera. and of the delay between shock wave impact and physical response. All could use further study. They are something that enterprising conspiracy theorists could test.

Predicting shock wave impact is complex and only a very simplistic attempt with a very basic approach is made here. Furthermore it is worth noting the obvious that big shock waves should produce bigger blurs than little shock waves. Said another way, you will respond most to those shock waves that you hear are close.

In this case, our friendly Secret Service agents feet again tell us they did not believe there was a shot prior to the beginning of Blur 3 at Frame Z220. They may (or may not) have been deciding upon whether there was a shot after Blur 3. And indeed the agent who later ran to the car claims he had just seen Kennedy shot at the time of the Altgens photo at ~Z255. He was clearly running *before* he saw JFK hit in the head. Indeed at this time the car slowed a bit perhaps to allow the driver to look back (as he did), or to allow the agent to catch up, and that may have made the head shot easier for Oswald. The running agent may well have covered perhaps 40 yards in perhaps 6 seconds (probably more than 7 yards per second).

Hence if there were three shots, *and if all three were "heard"*, they would have had to produce blurs 3, 4, 5 or been after the head shot when no one claimed to hear a shot fired. However, since the running agent did not hear shot 2, perhaps Zapruder did not hear it either. Furthermore, both blurs 3 and 5 were strong but the blur four was weak. And that difference must be reconciled. Additionally, the time between blurs 4 and 5 is only about 1.3 seconds long and this is faster than *almost* everyone (perhaps excluding those going for the record), so far, claims is possible. And still more disconcerting, there is apparently no trace, no damage or injury in or near the vehicle for a Shot 2, at Blur 4 (or any other time).

This squares with the single bullet theory, in that Connelly's physical reactions clearly occurred before Blur 4 occurs,

Of course this timing analysis could also be used to argue a spurious second shot hit Connelly by accident except that Connelly's physical reactions are too early to square with the weak Blur #4.

Two imposing books (24 and 10 years ago respectively), Posner [6] and Bugliosi [7], both mention blur analysis. Both appear to agree with the material implication and its contrapositive. However Posner simply censors the weak blur at Z290-292, making no mention of it on his pages 321-322.

Bugliosi goes beyond ignoring it to discounting it. On page 334 of his end-notes CDROM, he asserts blur analysis was a method the House Select Committee "relied on, more than it should have, to support its conclusion." He then provides a couple of pages of discussion and comments about the apparent excess number of blurs and says: "...the

weakest of which was around Z290-292 a time when there is no evidence at all a shot was fired.” He actually uses the weakest blur to indict the blur analysis:

“Because of all the above variables and imponderables, and because there is no known way to distinguish a blur or a jiggle caused by an involuntary reaction from, for instance, a voluntary pan/search movement, blur or jiggle analysis can never be conclusive on the timing or number of shots fired in Dealy Plaza and should not be given great weight.”

Be advised this analysis will argue both he and Posner and the House panel should have given much *more* weight to the blur at Z290-292, whereat apparently no one has focused to date but whereat there is nowhere near the complete dearth of evidence that has been asserted for it to have been caused by a shot.

Blur testing is something conspiracy theorists could explore and refine. Alvarez could have benefited a lot from simulations of the assassination with both hand held instruments and instruments suspended to experience the shock waves produced with no additional human influence.

However for this analysis, we have three blurs, the strongest at frames Z312-318, a lesser but still strong blur at frames Z220-228, and the weak and brief blur at frames Z290-292. And we must make of them what we can. And we shall rationalize them sufficiently in a way that may be disputed, but which begs for further actual simulative testing.

Blank Transition Page

An Un-Aimed Shot

What is an Un-Aimed Shot?

The HSCA (House Select Committee on Assassinations) considered that one shot may have been poorly aimed, or fully un-aimed. In his haste Oswald may have pulled the trigger too fast or just pointed the gun in JFK's direction and hoped for luck. Either could explain why one shot missed so badly. This is apparently why they conducted tests to measure the absolute minimum time between shots it would take to just operate the gun. And the best they did with Oswald's gun was when two guys achieved 1.5 and 1.3 seconds. Still too slow to have hit Connally separately based upon objective blur analysis.

But that is incomplete. There are still other scenarios in which an un-aimed shot would allow for even more rapid shooting. Among the possibilities are:

Slam-Fire. It is possible with some guns (perhaps the Carcano 91/38) that one can ram the bolt closed so fast that the round is fired without pulling of the actual trigger. There are video examples of this on You Tube. If so, then the full sequence of actions required to load a second round is abbreviated...and time is saved.

Normally after a shot, one moves their hand to the bolt, lifts the bolt, pulls it back (ejecting the casing), slides it closed (injecting a new round), rotates the bolt closed, grabs the trigger then aims and fires. Often the rifle barrel will be raised and, for a right-handed shooter, rotated to the left to do this action to move the rifle closer to one's chest for better dexterity with the bolt. This happens twice for three shots.

In slam fire, the sequence for firing two rounds ends the first shooting cycle

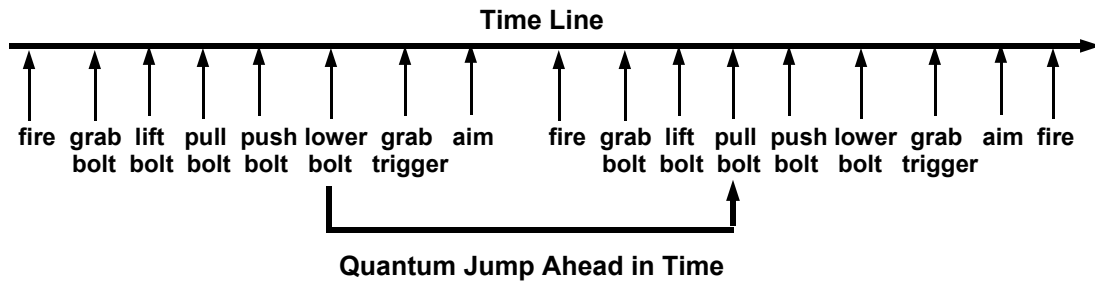


FIG. 2—Timing between shots.

when the round discharges eliminating the need for rotating the bolt down, grabbing of the trigger, aiming and firing, and it also eliminates releasing the trigger, and grabbing the bolt and rotating it upward. In the test sequence for the HSCA, a slam fire would quantum jump the shooting ahead in the sequence per Figure 2....and precious time would be saved.

Spurious Trigger Release. The Carcano rifle releases the firing pin by pulling on the trigger. If Oswald (reported in some places to be left-handed with a rifle, but fiercely disputed in most references) kept his left finger on the trigger when he worked the bolt with his right hand, then the firing pin might trip when the bolt was lowered and would discharge close to the same time as would happen with the slam-fire sequence above.

Worn/Faulty/Hypersensitive Trigger. In the Carcano rifle, a detent on the cocked firing pin is held in place by a “sear” (Def: The catch that holds the hammer of a gunlock at cock or half cock) on the trigger. The analysis to follow examines the apparent geometry that applies. Depending on the shape and extent of wear, the force and energy required to discharge a round could be reduced even so far as to render the rifle self-firing. Here again a spurious discharge might occur as soon as the bolt was moved to the position where the firing pin force on the cocking detent is transferred onto the firing sear. And a shot might be expedited again. [Note that one YouTube video [8] purports a slam fire may have been captured but actually may be a case in which spurious trigger release occurs as the shooter partially closes the bolt then lifts it briefly when the spurious shot actually occurs.]

Shooting a Carcano

Figure 3 exhibits the firing mechanism of the Carcano. In part A, the firing

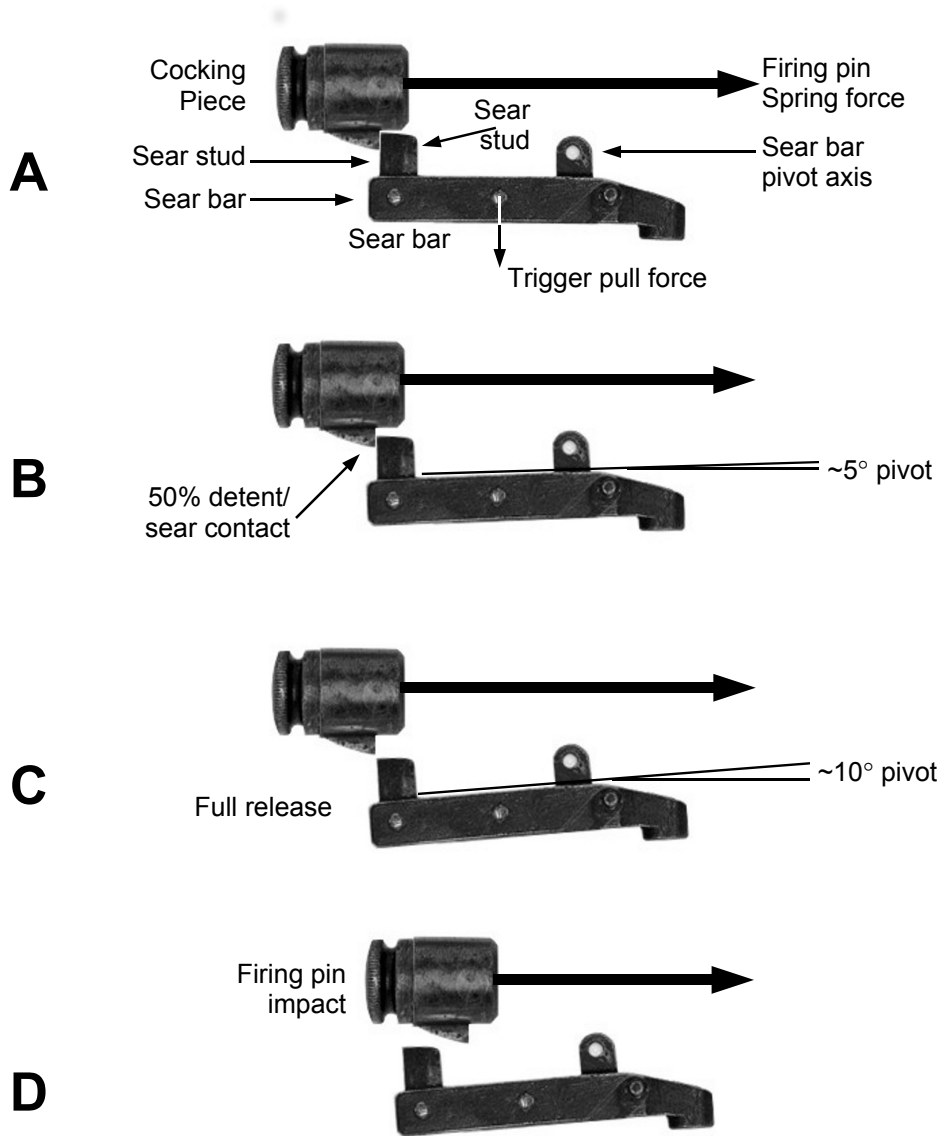


FIG. 3—Carcano firing mechanism.

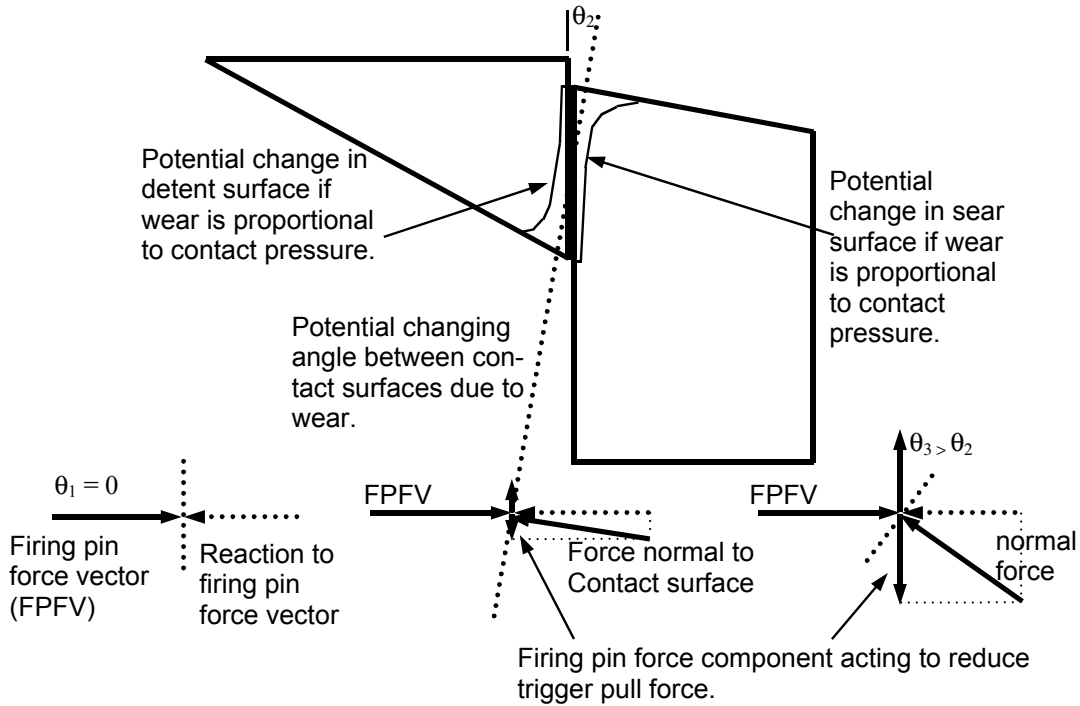


FIG. 4—Carcano detent/sear wear and trigger-pull force decay.

pin is held by the cocking piece on the bottom of which there is a detent. The detent engages the sear stud mounted in the sear bar. This engagement holds the firing pin back. When the trigger is pulled, a cam (not shown) presses down on the sear bar pivoting it downward about the pivot axis.

The pivot point appears to be slightly lower than the contact surface between sear and detent. Hence as the sear bar pivots, it may have to slightly compress the firing pin spring adding a small amount of last-minute added effort to pull the trigger.

Figure 3 part B shows the sear bar when the trigger has pivoted it by about five degrees. In this case, the sear has been pulled down to a point where the contact surface has been reduced by about half. Hence the constant force due to the firing pin spring has now increased the friction between sear and detent to about double its initial value. The wear rate on the contact surface will be increased significantly. The load on this surface will continue to increase as the contact area shrinks and the wear rate will similarly continue to increase.

Figure 3, Parts C and Part D show the sear just as it has been fully disengaged (~10 degree pivot) from the cocking piece and then after the firing pin spring has pulled the cocking piece to the right. The round has now been fired.

Figure 4 estimates contact-surface wear. The contact surface starts out as roughly perpendicular to the firing-pin force, and as the surfaces wear, material may

be worn from one or both surfaces. Due to the increase in force, friction and wear, one might expect the wear line, as a minimum, to change the contact angle, θ , between the surfaces. The figure also exhibits an intermediate wear-angle prospect, θ_2 . Below it, three contact surface angles are shown. On the left $\theta_1 = 0$ is shown for a new perpendicular contact surface with the firing-pin force equal to the reaction force. Beside it in the middle is the case for a wear angle of $\theta_2 > 0$ where a small amount of vertical force is produced upwards on the firing pin and equally downwards on the trigger. On the right is a much larger wear angle $\theta_3 > \theta_2$ where a larger amount of vertical force is produced upwards on the firing pin and downwards on the trigger. These force vectors show how the change in the contact angle can at least in principle change the contact surface into a cam that could actually push on the trigger to lower the trigger-pull force and perhaps to even self-fire the gun. Clearly at some point the wear might make the gun vulnerable to shaking, vibration, and bumping even before it gets to a self-fire point.

Indeed if the wear rate is more than linear in contact pressure, then one might expect even more polytropic (constantly curving) wear surfaces than the curved lines shown on both surfaces of Figure 4. Indeed, in this extreme case the required trigger pull force would be continually decreasing as the trigger is pulled tending to make it a delicate procedure for one to interrupt a firing gesture once begun.

Over time, and perhaps with a lot of firing (including dry firing as Oswald is reported to have done, possibly without sear lubrication), his trigger may have just shifted from a geometry in which pulling the trigger required the firing pin to be slightly lifted, to one in which pulling the trigger may even yield an assist from the firing pin pressure to push the sear out of the way. In the Carcano, it appears the detent and sear are also much more open and exposed to environmental factors such as corrosive moisture, abrasive dust, etc. than in many other gun designs.

In this case, if Oswald were rushing to get his second shot in, a bump or vibration (including from an overly enthusiastic slam of a non-slam-firing bolt) may have released the trigger and launched an early un-aimed shot in some random direction. That shot may not have been pointed any where near the targets.

The writer has never seen discussion of this aspect regarding Oswald's gun. Of course, Oswald's gun sear and detent could still be inspected today in a non-destructive way. One reference [7] cites it having a trigger pull force of three pounds, about half, or a little less than half, of what another reference [9] says is normal for the Carcano. Excess wear, if present, would bolster this possibility even though none of these three mechanisms are mentioned during any tests the writer has seen of Oswald's rifle. It could also be simulated on a different Carcano gun, and the writer could do that and would be delighted to do that, but for the damned Brady Bill intimidation mentioned earlier and for which the writer will provide a more fitting damna-

tion or two of The Democrat Party later!

Shell Casing Placements

The National Geographic DVD [2] goes so far as to attempt to interpret where the empty shell casings were found on the floor. Two were together and close to the window, one was further away. They posit that for the first shot (which they believe missed), that LHO was standing and that a higher and more rotated gun position ejected the one cartridge from a higher position, more directly, that allowed it to travel much further.

In this argument, if a second, un-aimed shot took place, then the time between firing and ejection of the second casing might have been several times faster than usual. The bullet fires and immediately LHO can pull back on the bolt he just pushed.

When the cartridge fires it is filled with blistering-hot high-pressure gases, and they warm the thin casing causing it to balloon (and swage) into the chamber, pushing on the walls and often stretching slightly (often forcing re-loaders to reshape the casings so they can be re-used). Heat from the casing is then transferred to the chamber walls, and as it quickly cools it shrinks a bit making it easier to extract it.

A rapid attempt to pull the casing out while it is still hot and expanded may require more force than an extraction would require even just a second later. That extra force and any resulting change in gun angle, may equally well account for one casing flying a greater distance. Nondestructive examination of the casings might find differences in extraction artifacts. This is again something the writer could have, should have, and *would* have tested, but for interference with his rights.

Writer's Apology

Too many of these data in this effort are tenuous and speculative when they could and should be definitively stated. Case closed. Many can be expanded upon to a large degree. They should have been and could have been tested.

These data were instead based upon theory, and reference materials including on the Internet. These less-than-desirable sources were used, despite the writer's wishes, willingness, and apparent abilities to purchase a few Carcano rifles and both inspect and modify them to test and defend this hypothesis and lend real credibility to this analysis. A few photos (and/or videos) could have been compelling data.

However, the analysis must suffer, because as The Democrat Party wished when it passed the Brady Handgun Violence Prevention Act in 1993 that has been expanded since including by many states, and which they seek to further expand even to this very minute, he has been intimidated by that law for twenty-four years from doing that or exercising his other Second Amendment Rights ever since. They must be so happy about that. And by all means do take note, that this same law was highly in-

strumental in inciting the OKC Tax Party of the lone wolf Sergeant McVeigh.

Sergeant McVeigh once said in a Letter to the Editor in his very civilized protest days, before he witnessed the gun grabbers run amok (his tipping point), before he proved one man can make a difference: “I hope it does not have to come to that, but it might.” It did.

Although the writer has nonviolently opposed this tyranny for twenty-four years, doing the best job possible under bad circumstances, doing his own share of Letters to the Editor and to his Government, he is confident The Democrat Party considers him a full-blown “nothing man” in the same style of LHO that can be exploited yet otherwise ignored. But I am not assembling NH_4NO_3 and fuel oil, nor any of a slew of excellent alternatives. For now, I continue to document the hazards and risks that Democrat tyranny is justifying. And I even hope to file a Federal Lawsuit soon on the Constitutionality of the twenty-four year tyranny known as the Brady Bill that hinders this analysis. A lawsuit which I expect will fail miserably, but then what can a “nothing man” expect from civilized effort. Nonetheless, my apologies for my tyranny-induced literary shortcoming.

Blank Transition Page

Reconciliation

Nothing has been proven herein. Nothing will be proven. But an hypothesis has been developed that may suggest an apparently new perspective. A possibility that in some ways explains the assassination better than many others. But there is some important reconciliation still needed.

The timing for the putative middle, presumably un-aimed, shot, is established by a weak blur #4. A blur that has been ignored and even condemned. A “nothing” blur. However, its weakness may be its strength. Blur #4 needs to be examined.

First the three hypothetical shots will be diagrammed. Two figures will exhibit the approximate key parameters for the head shot . Two more will exhibit the approximate key parameters for the neck shot. And two more will then exhibit just one of the many possibilities for the potential key parameters for the speculative un-aimed shot.

Mathematics with each of these three figures perform very simplistic calculations that deserve the attention of much more experienced specialists. They use a crude model to predict the shock waves that would form and estimate when the trigger was pulled in relative terms of Zapruder movie frames. This unsophisticated math suggests that the timing between the throat and any un-aimed shot was 3.7 seconds, and that between any un-aimed shot and head shot was roughly 1.3 seconds (as shown in Figure 1, bottom). If the blur analyses are to be believed, both amounts of time must have been within LHO’s ability as examined in the previous sections.

Shock Wave Etiquette

First some perhaps too-overly simplified shock wave theory. The writer is a trained physicist (and mathematician) but has not specialized in acoustic physics and has only peripheral experience in shockwave physics. And shockwaves are really complicated fluid-dynamic affairs. Hence the motivation here to simplification. Those with greater numbers of letters may repair or replace the analysis with better. However, this simplified treatment is not massively in conflict with analyses such as, for example: Maher [10].

When a round is fired, extremely hot and high-pressure gases are formed that push the bullet down the barrel in piston-like fashion. The bullet accelerates but can not exceed the speed of sound in the gases behind, because if it did the gases could not keep up with it to push on it. However the speed of sound in the gases is a function of their temperature and they are really hot. The speed of sound in the hot gases can be several times greater than the normal ~ 1100 ft/sec of sound in room temperature air.

In the Carcano, the bullet emerges at roughly twice the speed of sound in the local ambient (~ 2200 ft/sec.) pushed by a jet of supersonic gases that emerges and expands much as the exhaust gases from a rocket engine. These gases expand and cool within a short distance (typically several barrel diameters and produce a shock wave called the muzzle shock). Gorgeous (apparently Schlieren) high speed photography of an emerging bullet is shown in the NOVA DVD [11] that is generally consistent with the description here.

The shape of the muzzle shock will be treated here as concentric circles centered on the barrel outlet. Better analysis from better analysts may refine this model later. These concentric waves will also cool quickly to propagate near or at the ambient speed of sound and will be treated as moving at this speed (~ 1100 ft/sec.) from the moment of venting.

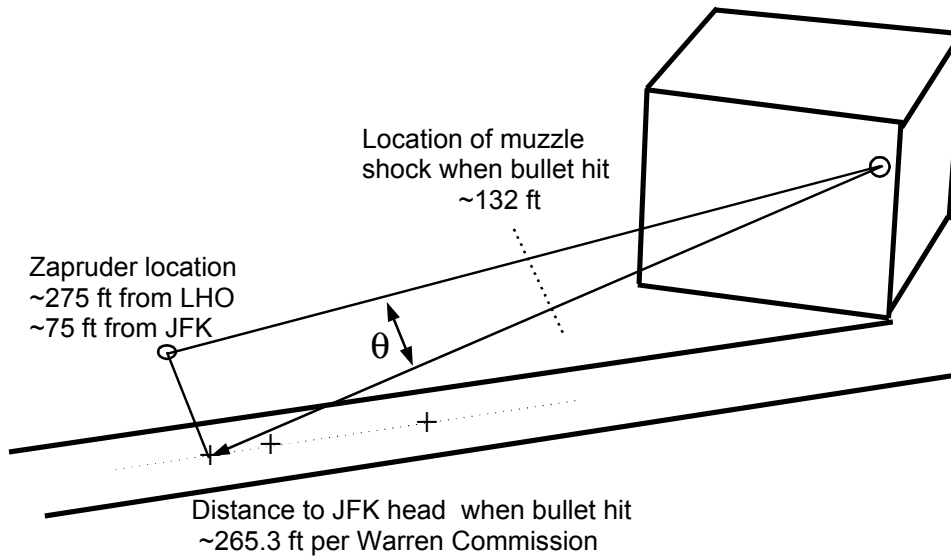
The high speed bullet will push air out of its way compressing it and establishing a continuously growing triangular-shaped shock wave (called a Mach wave) as it flies.

Shock waves like these are pressure waves much akin to normal sound except that whereas the pressure in typical sound waves changes slowly as the wave passes, the pressure in a shock wave changes rapidly. The pressure in a fully developed shockwave may rise from atmospheric pressure to its maximum level in microseconds. This is why they are so startling to hear.

Let us examine the three proposed shot scenarios in some approximate detail.

Head Shot

The head shot (probably shot #3) was the moneymaker. Oswald knew his



Start of blur: frame 312
 Time for bullet to reach head: $265.3\text{ft}/2200\text{f/s} = 0.121$ sec. or 2.2 frames.
 Time for bullet shock to reach Zapruder: $75\text{ft}/1100$ fps = 0.068 sec. or 1.25 frames
 Frame at trigger pull = $312 - (2.2 + 1.25) =$ frame ~ 308.6
 Time for muzzle shock to reach Zapruder = $275\text{ ft}/1100\text{ f/s} = 0.25$ sec or 4.57 frames
 Muzzle shock hits Zapruder at frame: $308.6 + 4.57 =$ frame 313.18

FIG. 5—Timing scenario for head shot (Blur 5).

mission had succeeded when he saw this impact. Zapruder frame Z313 confirms the success, but does not say exactly when the bullet hit or when it was fired. Figure 5 diagrams its details. When the bullet hit, growth of its triangular Mach shock wave was terminated and was about 75 feet from Zapruder which at the normal speed of sound would have startled him about 0.068 sec later ($75\text{ feet}/1100\text{ ft/sec.} = 0.068$ sec.). That bullet by Warren Commission measurement was 265.3 feet from the gun, and would have left the gun about 0.121 seconds earlier ($265.3/2200\text{ ft/sec} = 0.121$ sec.). Hence the bullet was fired about 3.45 frames earlier ($0.121 + 0.068$ seconds $\times 18.3$ frames per second = 3.45 frames) before Zapruder began to startle at frame Z312. That is a firing time at frame Z308.6.

Note that a concentric muzzle shock would not reach Zapruder for 0.25 sec. ($275\text{ ft}/1100\text{ ft/sec.} = 0.25$ sec.). Note also that Zapruder was located on a line just $\sim 16^\circ$ off the path of the bullet indicated by $\theta \sim \text{ArcTangent}(75/265.3)$.

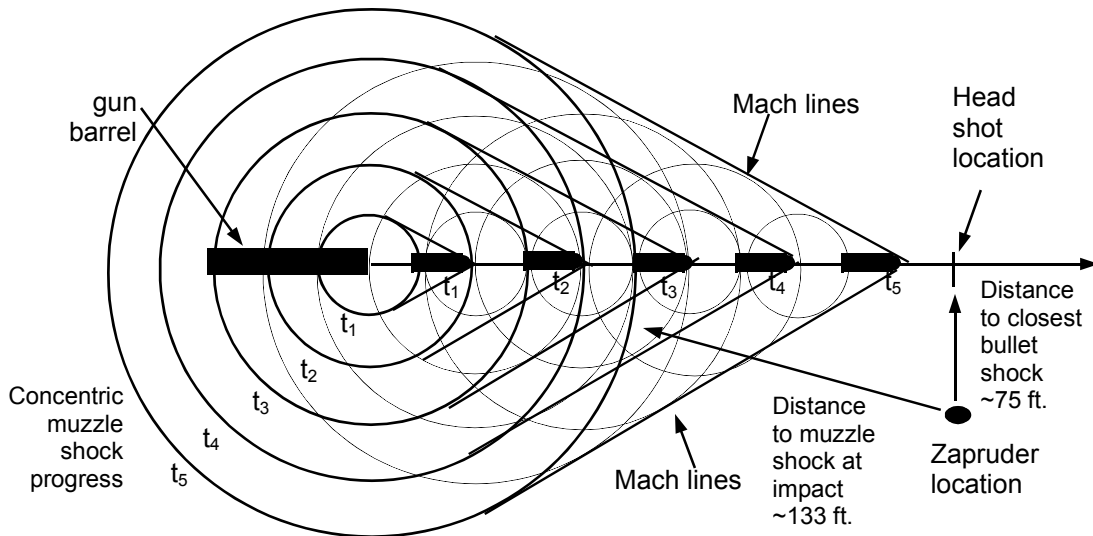
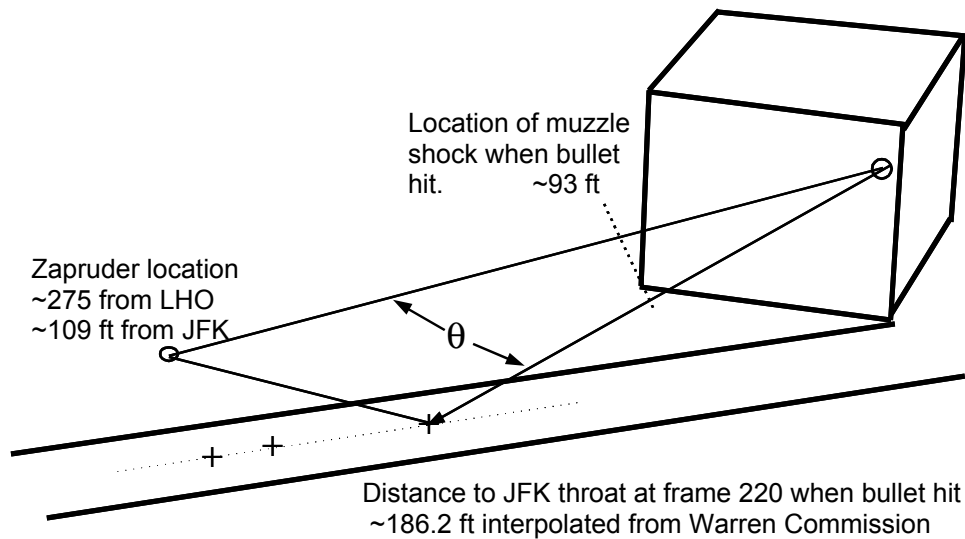


FIG. 6—Shock wave scenario for head shot (Blur 5).

Figure 6 exhibits the same scenario as Figure 5 but illustrates the shock wave paths that were assumed. Six positions (times, t_0 to t_6) of the bullet at roughly 50 foot intervals are shown each being twice as far from the muzzle as the respective muzzle shock waves are. To the extent that concentric propagation of the muzzle shock is realistic, when Zapruder would have been first startled by the Mach wave being generated by the nose of the bullet, he would have been about 67 feet from the approaching muzzle shock.

Neck Shot

The timing of the neck shot hit is also rather well established as being at frame Z220 if blur analysis, and lapel bulge (Z222-224) analysis data (as cited by Bugliosi on page 325 of his endnotes CDRom [7]), be accepted. Figure 7 is constructed analogous to Figure 5 to illustrate the approximate neck-shot parameters. As spectacular as the head shot was, this shot was rather uneventful visually, especially from the rear. Oswald may not have realized how much damage he had done, and he had done a lot. It may even have proven fatal.



Start of blur: frame 220
 Time for bullet to reach head: $186.2\text{ft}/2200\text{f/s} = 0.0846 \text{ sec.}$ or 1.55 frames.
 Time for bullet shock to reach Zapruder: $109\text{ft}/1100 \text{ fps} = 0.099 \text{ sec.}$ or 1.81 frames
 Frame at trigger pull = $220 - (1.55 + 1.81) = \text{frame } 216.6$
 Time for muzzle shock to reach Zapruder = $275 \text{ ft}/1100 \text{ f/s} = 0.25 \text{ sec}$ or 4.57 frames
 Muzzle shock hits Zapruder at frame: $216.6 + 4.57 = \text{frame } 221.2$

FIG. 7—Timing scenario for neck shot (Blur 3).

When this bullet hit, its Mach shock wave was about 109 feet from Zapruder and at the normal speed of sound would have startled him about 0.099 sec later ($109 \text{ feet}/1100 \text{ ft/sec.} = 0.099 \text{ sec.}$). That bullet by interpolation of Warren Commission measurements was about 186.2 feet from the gun, and would have left the gun about 0.0846 sec. earlier ($186.2/2200 \text{ ft/sec} = 0.0846 \text{ sec.}$). Hence the bullet was fired about 0.184 seconds or 3.36 frames earlier ($0.0846 + 0.099 \text{ seconds} \times 18.3 \text{ frames per second} = 3.36 \text{ frames}$) before Zapruder began to startle at frame Z220. That is a firing time equivalent to frame Z216.6.

The concentric muzzle shock would have startled him just a split second later and would have again taken 0.25 seconds ($275 \text{ ft}/1100 \text{ ft/sec.} = 0.25 \text{ sec.}$). Note also that Zapruder was then still located on a line only slightly different, if at all, from the $\sim 16^\circ$ off the path of the bullet as was approximated in Figure 5.

Figure 8 exhibits the same scenario as Figure 7 but illustrates the shock wave paths that were assumed. Four positions of the bullet at roughly 50 foot intervals are

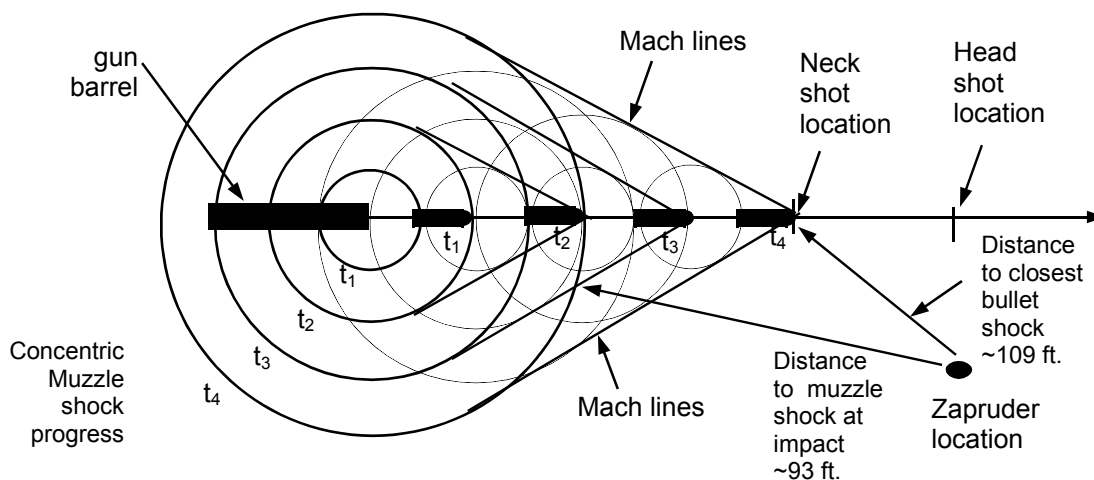


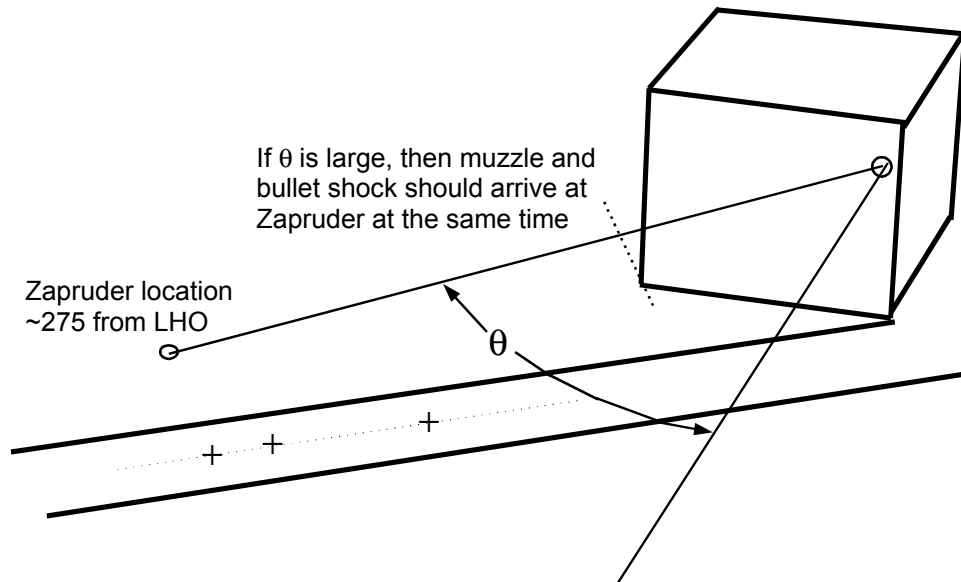
FIG. 8—Shock wave scenario for neck shot (Blur 3).

shown each being twice as far from the muzzle as the respective muzzle shock waves are. To the extent that concentric propagation of the muzzle shock is realistic, when Zapruder would have been startled by the Mach wave being generated by the bullet, he would have been only about 73 feet from the approaching muzzle shock.

Un-Aimed Shot

Alvarez [5] clearly did not consider the possibility of an un-aimed shot. If he had he might not have sought an alternative explanation for the blur at Z290-292. He must have considered the absence of a blur of intermediate or greater strength so significant that he himself blamed an earlier blur at Z189-195 to have resulted from the first shot, despite the problems of reconciling it with other data. He then went on to blame the Z290-292 blur on a police siren sound.

If there was an un-aimed shot, and if the blur at Z290-292 resulted from it, then Zapruder reacted at Frame Z290. Figure 9 is constructed analogous to Figure 5 to illustrate an arbitrary shot direction. This direction is chosen to be an extreme, but



Start of blur: frame 290
 Max. time for *both* shocks to reach Zapruder: $275 \text{ ft}/1100 \text{ f/s} = 0.25 \text{ sec}$ or 4.58 frames
 Earliest trigger pulled at frame 290 - 4.58 = frame 285.4

FIG. 9—*Speculative timing scenario for un-aimed shot (Blur 4).*

still realistic, case. If Oswald pulled the gun back and rotated it to make operation of the bolt easier, then it might have pointed straight away from the building or even further left and/or upwards. And this is a threshold-case example.

This threshold direction would have sent the bullet roughly parallel to Houston St. over the heads of people near the Main St intersection from whence JFK came. This bullet may not have hit anything in the vicinity (or any where else). Some witnesses along Houston St. may have heard the middle shot as being the loudest.

However the significant feature of this direction is shown in Figure 10. This is roughly the minimum angle at which both the initial Mach wave and concentric muzzle shock wave would arrive at Zapruder *at the same time*. That time would be 0.25 seconds ($275 \text{ ft}/1100\text{ft/sec.} = 0.25 \text{ sec}$. About 4.57 frames). For all angles larger than this threshold, the distance to Zapruder would have the muzzle shock (and initial portion of the Mach wave) arriving first or at the same time as the later Mach shock. That firing time would be when Zapruder first reacts to blur #4 less the transit time ($Z290 - 4.57 = \text{frame } Z285.4$)

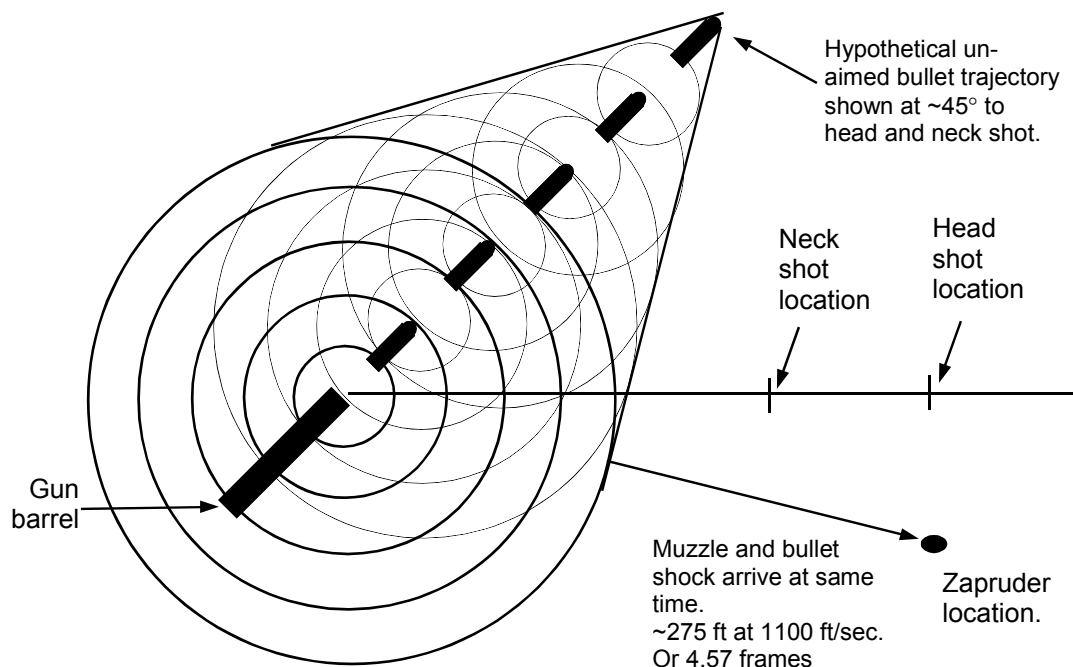


FIG. 10—Hypothetical shock wave scenario for un-aimed shot (Blur 4).

Notice that for this arbitrary case, Zapruder would be on a line perhaps $>60^\circ$ to the path of the bullet.

Time Between Shots

This analysis indicates the time between the neck shot and any un-aimed shot was ~ 3.7 seconds and between an un-aimed shot and head shot was ~ 1.3 seconds. However this is not the end of the speculation. There is still the relative strength variation among Blur #3, Blur #4, and Blur #5 to explore.....and perhaps that can be explained.

The Obliquity Factor

The obliquity factor offers yet another obscure approach to explaining the three-shot scenario that would benefit from a lot of sophisticated math by those with advanced degrees. Such will not be done here. This will stay simple even at the risk of introducing error.

On the internet one can find the obliquity factor defined thusly:

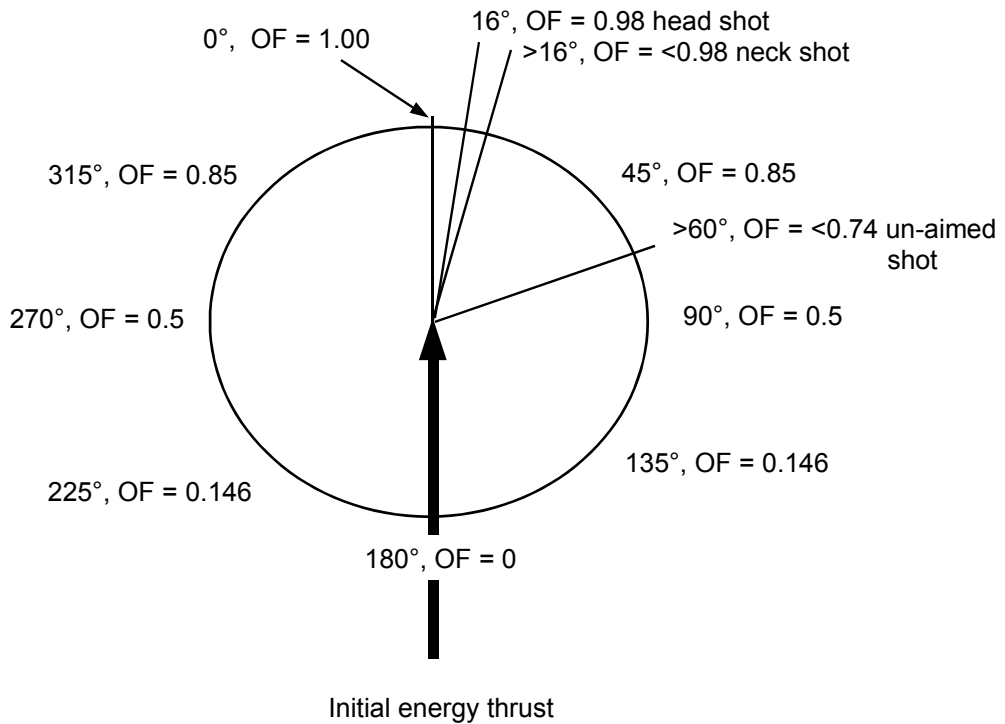


FIG. 11—Common obliquity factors.

“A function which is proportional to the amplitude of secondary waves propagating in various directions, according to Huygen’s Principle. It is $1 + \cos \theta$ where θ is the angle between the normal to the original wavefront and the normal to the secondary wavefront.”

The obliquity factor can be coarsely understood by noting the generally accepted knowledge: *You are more likely to get shot standing in front of the gun than standing behind the shooter,..and the sound will be much louder there, also.*

The energy and momentum of a bullet and the sound it produces is carried in the direction of the bullet travel. When this sound scatters (analyzed in the works of Huygens and Fresnel and others) the shock wave may propagate in all directions at similar (but not necessarily equal) velocities but the amplitude of the shock wave can vary. Its amplitude (therefore its “volume”) will be greatest the closest you are to both the source and to the path of the bullet.

Physics deals with this with the obliquity factor. Figure 11 illustrates how the obliquity factor treats typical wave scattering situations (whether it is ideal for addressing this ballistic situation or not), and can illustrate the effect. The amplitude is

given by $(1 + \cos \theta)/2$. This gives a factor of 1.0 (100%) for the direction of the bullet, zero for the reverse direction, 0.5 at right angles to the path, and other values as indicated on Figure 11. Clearly the 180° obliquity factor (OF) is not *exactly* zero.... one can hear the rifle shot even from behind the shooter.

The three situations potentially affecting Zapruder are estimated as:

Head shot 0.98 This is the strongest blur #5.

Neck shot <0.98 This is a second strong blur # 3.

Un-aimed shot <0.74 The weakest sound by far for blur #4.

Clearly Zapruder *should* have reacted less dramatically to the neck and much less to any un-aimed shots because of their smaller obliquity factors. This may be why the Secret Service guy running to the JFK car does not remember the middle shot. It may have been much less “loud”. And so if the wimpy blur #4 is due to a shot, it is not only reasonable that it should be less “strong” but that in fact helps bolster the case for it being an un-aimed shot. However all of these contingencies could be tested, witnesses could be fine-tuned, and all of the speculation, theory and mathematics could be weaned out of the result.

Alvarez, [5] himself makes this same point in a different context (while surmising direct shock-wave induced movement of the camera), on his page 817. In comparing the neck shot to the head shot:

“The shock wave from a bullet fired from the Book Depository toward the car in its position at the time of frame 221 would have been considerably weaker at Mr. Zapruder’s station than the shock wave in frame 313, so the lack of a direct physical interaction at the time of this earlier shot is not surprising.”

If Alvarez had considered an un-aimed shot that had placed Zapruder at an even greater angle and distance from the bullet path than for the other two shots, the weak blur at frames Z290-292 might have seemed much more informative to him. Indeed, the entire absence of any blur at all would have also been a realistic prospect.

It is also perhaps possible that if Oswald had pointed the gun in a still more disparate direction its shock waves when they reached Zapruder may not have had any effect on him at all. And for this reason, even if the weak blur does not identify the timing of a middle shot, then that shot may still have occurred at any physically possible time in the interval between the neck and head shots, ...if the gun’s angle was large enough.

Summary, Conclusions, Lessons Learned

Summary and Conclusions

If the included analyses can all be validated, then they refute some of the nagging arguments against why Lee Harvey Oswald (LHO) *could not* have been a lone actor in the JFK assassination. They do it in a way that fits very nicely with several other available key hard data.

This analysis suggests a lone Lee Harvey Oswald could have learned of the triumphant parade route past his window the very next day, like he had serendipity, and simply decided to bring his rifle to work that next day, as apparently he did.

He could have done this small amount of planning (actually just deciding) alone. No involved conspiracy was required. Indeed, so little planning was apparently needed, that Oswald was down to his last four rounds of ammo. He set out without even a full six-round clip of ammo and apparently insufficient time (and perhaps funds) to get more. If LHO had been out of ammo that day, JFK may have survived. However, if this analysis is correct, he had from one to three more rounds than he needed.

This analysis has supposed that LHO was capable of firing three shots in 5 seconds with the gap between the first and second being ~3.7 seconds and the gap between the second and third being about ~1.3 seconds. Furthermore, that the first and third shots *could* have been as accurate as the neck shot and head shot actually turned out to be.

He did not have to be super-dexterous with the gun even if wear or other factors caused an unintentional un-aimed shot that abbreviated the firing sequence .

The writer would not for an instant describe two shots 1.3 seconds apart (a 46 rounds/minute rate) as “rapid” fire as some witnesses have called the shooting (when some guns will fire 800 rounds per minute or more). But to those witnesses in Dealy Plaza, a spacing between shots of 3.7 and 1.3 seconds might seem to them to be a large gap followed by two quick shots as they have described:

(“Pow.....Pow ...Pow”)

However, it is much more nearly like rapid fire than any of the other possible timings would be. It also rationalizes how Oswald’s gun could have been capable of achieving such a seemingly rapid feat in Oswald’s familiar and practiced hands.

This scenario also squares (perhaps uniquely) with the actions of the Secret Service (something like eight of them in number) who might otherwise all need to be assumed part of any conspiracy for their lack of earlier response.

It does not reject the Single Bullet Theory nor many other analyses that have also suggested LHO *could* have been a lone assassin, reacting to his sudden golden opportunity and requiring almost no planning nor lead time.

And it squares with perhaps the most objective witness: Zapruder’s unconscious nervous system (revealed via blur analysis).

This, of course, does not prove LHO did it or that he did it alone. Other more sophisticated but in many cases convoluted analyses are still possible. But it does make it much more difficult to prove LHO could *not* have done it alone nor that he scored a big one for the nothing people of the world.

Painful Lessons Learned?

Many Conspiracy Theorists subscribe to their shooting versions in part because they do not want to think that a nothing person, as LHO has been called, could make a real difference, and partly because, compared to lone wolves, conspiracies are easier to locate and thwart through infiltration, following of the money, wire taps, cameras everywhere, and computer tracking of all kinds.

The writer’s personal bias stands revealed and he now repeats and expands perhaps to much excess upon his earlier rant. This writer wants LHO to have been able to have done it as a lone wolf. The same as I want Sergeant Timothy McVeigh to have conducted his OKC Tax Party as a lone wolf. It is important that as one man, I want the nation to realize “one man really can make a difference, a significant and even major difference, if not for good then for bad.” I want the nation to realize it is better for even just individual men, including the writer, to participate in the nation than to be censored, marginalized and excluded, and to then consequentially fester, as

has been the case for far too long. There is such a thing as a tipping point. We all have them.

Just as one can argue on either side whether LHO or Sergeant McVeigh, (and perhaps many others) did their protests alone or not (including the group sometimes called the “Whackos in Waco”), the writer can argue they considered themselves censored, marginalized and excluded and may have acted not only from legitimate anger but from legitimate duty, as they saw fit, consistent with the founding violence that occurred at the Lexington and Concorde bridge in 1775, and during the Civil War, too. In the United States, when *anyone* concludes their government has gone bad, it is not only a possibility, but a prerogative to oppose it. That opposition is most desirable through the democratic process. However it is NOT possible today through The Democrat Party Process which has long ago again degenerated into tyranny.

Our Government *has* gone bad and The Democrat Party is chiefly, but not exclusively, responsible. A small cadre of Republicans (perhaps “nothing Republicans” who might be just as bad if given the chance) is trying to turn things around (2017) and only time will tell if their civilized approach has any chance of working.

The writer can cite numerous laws each of which justify actions like those of LHO and Sergeant McVeigh, just as the Tea Tax justified The American Revolution. This writer is fed up with his imposed second-class citizenship. The Democrat Party wants us to believe those like LHO and Sergeant McVeigh are simply minority deranged nut jobs (without intending to be abusive to those with mental health issues) and such rarities that we need not respect them. We can just exploit them then prune them from the herd if they dare rebel....if they get to a tipping point.

I am in my 70s. I have never been arrested, and have gotten only one significant ticket for going through a stop sign that I did not see. But I have been pissed for decades. Perhaps surprisingly, I have not reached my tipping point, yet, but I sure as Hell have come close. Please allow an excessive example. It is difficult and perhaps not wise to even try to describe how angry one gets to hear Democrat minions decry my evil for things like wanting to have IDs shown during voting, which obviously proves I am a racist, and then to examine how they have thwarted and intimidated me when they ripped away my rights and rammed their Brady Bill down my throat. Indeed if there is an insulting criticism to be made about the competence of African Americans, it is that they allow The Democrat Party to claim 90+ percent of them oppose IDs for voting but support the extremism, and yes the racism (is it good racism?), of the Brady Bill.

I am a lowlife, a nothing person. But I *can* make a difference. Trust me. For decades I have tried to do that constructively and continue to this day but I have been censored, marginalized, excluded and ignored. I have often watched evil bills like the Brady Act and Obamacare rammed down my throat while ripping away my rights. Almost always it has been by The Democrat Party, but in honesty, sometimes with a

contingent of their minions in disguise as Republicans.

I fully understand and sympathize and endorse and exonerate Sergeant McVeigh's patriotic self-defensive retaliation against this and the related tyranny of 1993. Do any minions in the Democrat's cult realize they have provoked and justified that violence? It was *their* doing. And more is justified.

We are smugly told Brady background checks are merely supposed to "keep guns out of the hands of people who should not have them." That they are beloved by 90+% of the people. In retaliation, I demand they be used before voting "to just keep voting out of the hands of people who should not be voting."

However, background checks were not and never have been illegal. There were easy "mere" ways to ensure background checks without stripping my rights. Without suppression and intimidation. But, as if testing and mocking my forbearance, the Democrat Party instead, appears to have been willing to provoke violence (which they sure as Hell did in the OKC Tax Party—*for which I cheer!*). And they are willing to provoke more. I have allowed them to bully me this way for most of my life and with the Brady Bill for more than two decades. I have been like their doormat. A pussy. And so today I can see how they might think forbearance like mine grants them unlimited permission. I can only assure them my forbearance is *not* unlimited.

I can also assure them guns and bombs are not the only nor most effective form of violence protest. Mr. Oswald and Sergeant McVeigh could have taken a butane lighter or any of a hundred other much-more-than-adequate ignition sources and started burning down our forests in the style of Tecumseh Sherman's precedent. Over the past decade or so, we have seen (or so we are told) significant increases in the number and scale and cost of forest fires that have been "happening". We have even seen them blamed on "climate change" and therefore Republicans. Typical damage estimates for well-established burns are over a billion dollars each. Could any have been punishments? Fines? A few billion dollars in fines is justified.

However typical reporting over the years has been that forest fires are caused by lightning and just a very few careless (as opposed to unhappy) campers. Last year (2016) rare eastern-states fires were finally blamed on two teenage vandals. The writer has heard little since. Is this all fake news?

And yet there are also reports of studies that say more than 50% of forest fires are being started by humans. Is that a fake news fact? Could that be? Even if they are all technically "accidents", it proves how effective the mechanism is. As effective as it was for us in Dresden. And it boils down to who is more willing to burn down the country? Will the Democrat Party extend Brady checks past my own tipping point if they ever get into full power again? Will they extend them to the purchase of BICs.

Do Democrats care or have a clue as to how much of their dreaded climate-changing CO₂ would spew into the atmosphere with a few dozen or a few hundred disparate forest fires? How much planetary oxygen production would be curtailed?

And although they have not one iota of interest in what I believe, I believe our government and its laws like the Brady Bill place us in imminent peril,... that that imminent peril makes self defense justified,... as justified as the shootout in Lexington and Concord, even if it entails the loss of innocent collateral lives like in Dresden, and Waco and OKC. Yet The Democrat Party does not care.

In the past, key Democrats have demanded that monsters must be bluntly, openly, graphically, impolitely called what they are: *monsters*. This writer fears The Democrat Party has become a nest of *monsters*. And for some time The Party has been acting like it believes we do not know what to do with monsters. But we do.

Was one man fighting monsters in 1963? In 1995? Do the monsters need another lesson?

I have given up on The Democrat Party. I value my rights, especially the ones they claimed to respect even as they ripped them from me. I am willing to fight and kill to protect my country and rights. I believe the U.S.A. is real and must continue to be real, and any parents (like the parents whose babies shielded the Murrah-Building) are welcome to donate their children to the consequential collateral-damage pile.

As much as any clueless parent or family member of any child justifiably crushed in the Murrah building wanted to see the hero Sergeant McVeigh executed even if only over closed circuit TV, I now want to see The Democrat Party's most vicious monsters executed (but only after expensive kangaroo court trials like they afforded Sergeant McVeigh) and in that exact same way even if just over closed circuit TV. Think about it. Watching Senator Dianne Feinstein, 1993 champion of the assault weapons ban, take her final breath. Senator Charles Schumer, 1993 champion of the Brady Bill as his heart stops. And other key players in their chain of atrocities including both the malicious Brady Bill and Obamacare, acting in the tradition of their malicious forbears going back to the NFA, and on and on. And certainly at least one Clinton.

I have stopped trying to reason with them and not just because they censor, marginalize and exclude, and like everyone else, ignore me while ripping away my rights and intimidating me. They gamble with children's lives on a bet that I am much less bloodthirsty than they are. I have come to believe they are hard wired. Like the zombie monsters that will eat your brains because that is the only thing they know to do, The Democrat Party has demonstrated a complete absence of restraint.

It has been gross dereliction to assume LHO and others like him were merely deranged nut cases and extreme rarities. If he had good reason we will never be allowed to learn it. But if he did it alone, and he *could* have, everyone is entitled to finally learn the lesson that even just one wimpy old tired man, with good reason or not, can make a difference they might not like any more than I like their Obamacare. *Must that be proven yet again?*

I do not know much personally about Mr. Oswald. I do not know if a Democ-

rat Government were to write a law-of-the-land that specified the extermination of our Jews, or if they were to pass a law-of-the-land that returned our African Americans back into slavery (as existed prior to the Civil War except with modern Occupational Safety and Health Act [OSHA] Regulations to protect them) whether those laws would be fought or over-ruled by individual people like Mr. Oswald. I do know that on one occasion when The Democrat Party seized my rights, there was one man, maybe only one, in the person of Sergeant McVeigh who fought for my rights. I am eternally grateful to him. And just as I find so many in The Democrat Party guilty of high crimes, I have assigned to Sergeant McVeigh my vote for a posthumous Presidential Medal of Freedom.

The search for Oswald's co-conspirators and John Doe #2 can go on, secure in the bogus belief that if they can be found and killed, everything can go back to normal. That government can then continue to exploit and trash my rights, notwithstanding the fact that I, yes old tired wimpy I, foolishly believe I can make a difference and that a difference is needed.

The Democrat Party *should* think about that, *should* weigh their consequences...but I honestly believe, like the scorpion in the old joke, like they say about child sex offenders, like I said previously about zombies, The Democrat Party is just not capable of change.

I continue to work within the system, for a while yet, in this nation of mine that I conclude has gone bad and that the status quo has degenerated to where it justifies violence more than was the case during the Civil War (when both sides were wrong). I have no certainty that it can fix itself, but I do know that whatever violence results, the winners will claim it has.

And I also subscribe to the ethic that one man can make a difference and has, that he can make a massive difference, and as proof I cite what Lee Harvey Oswald and Sergeant Timothy McVeigh *could* do. And I predict they will not be the last. To any who worry that Islamist Muslims hate our country for our freedoms, you may want to consider whether any of us, even just one of us, hate its tyranny.

References

- [1] *Report of the President's Commission on the Assassination of President John F. Kennedy*, reprint of the 1963 Report, Longmeadow Press, Stamford CT, 1993, 888 pages.
- [2] National Geographic, *JFK: The Lost Bullet*, DVD Video, 2011, 60 minutes.
- [3] *Final Report of the Select Committee on Assassinations, U. S. House of Representatives, Ninety Fifth Congress, Second Session, Summary of Findings and Recommendations*, House Report 95-1828, Washington D.C., Government Printing Office, 1979 (HSCA Report), as cited in Ref. [7].
- [4] 6 Shots in 5.1 Seconds, You Tube Video, [www.youtube.com/watch PV=h4c5Zr7hzzA](http://www.youtube.com/watch?PV=h4c5Zr7hzzA), viewed July 2017.
- [5] Alvarez, L. W., “**A Physicist Examines the Kennedy Assassination Film**”, *American Journal of Physics*, Vol. 44, No. 9, September 1976, pp. 813-827.
- [6] Posner, G., *Case Closed, Lee Harvey Oswald and the Assassination of JFK*, Anchor Books, Div Random House, NY, 2003 (and 1993), 608 pages.
- [7] Bugliosi, V., *Reclaiming History, The Assassination of President John F. Kennedy*, W. W. Norton CO., NY, 2007, 1612 pages.
- [8] Slam Fire, What the Hell???.wmv, You Tube Video, <https://www.youtube.com/watch?V=N26RW76B0bo>, viewed July 2017.
- [9] Skennerton, I (producer), Abramson, G, (Researcher), *Carcano Rifles and Carbines Handbook*, Arms and Militaria Press, Grants Pass, Oregon, 2009, 34 pages
- [10] Maher, R. C., “**Summary of Gun Shot Acoustics**”, Montana State University, 4 April 2006, 7 pages, Internet download.
- [11] Denooyer, R., *Cold Case JFK.*, Nova 6267, DVD Video, Lone Wolf Media, 2013, 60 minutes.

Blank Transition Page